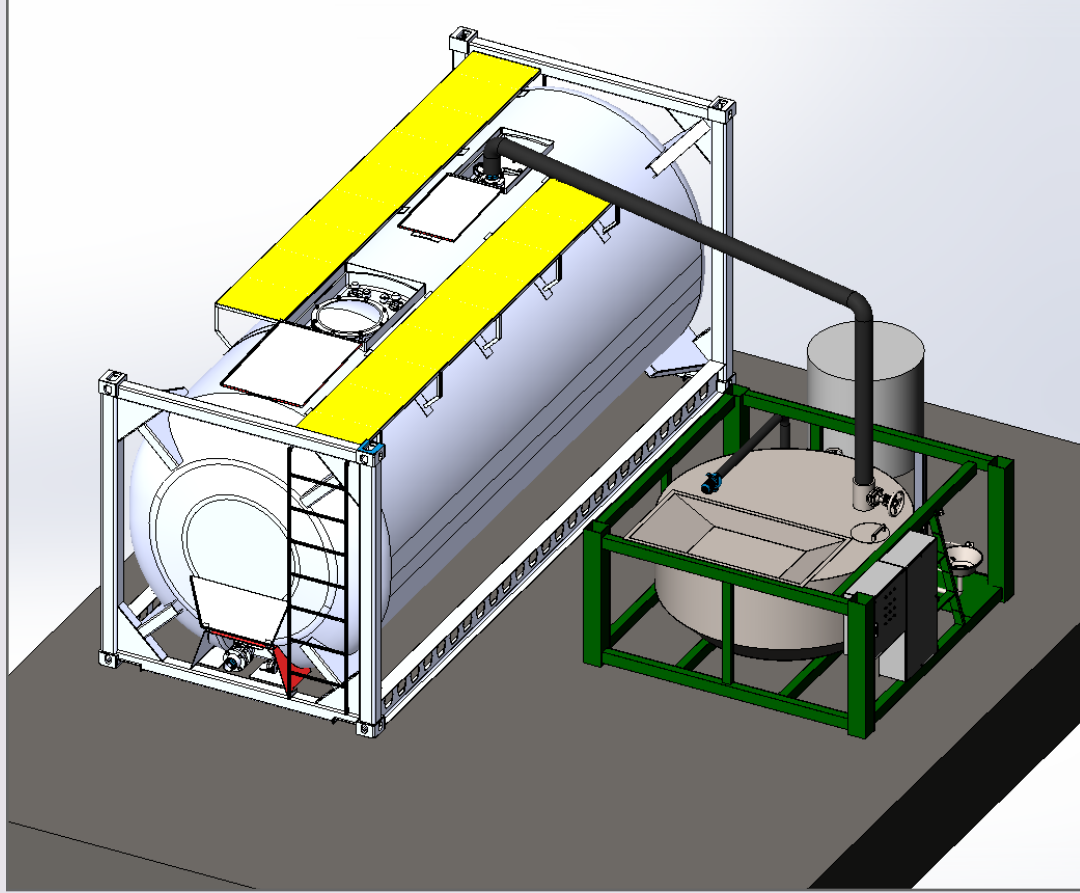


cpi Equipment Inc.

Fish Silage Process Tank

PRO SILAGE





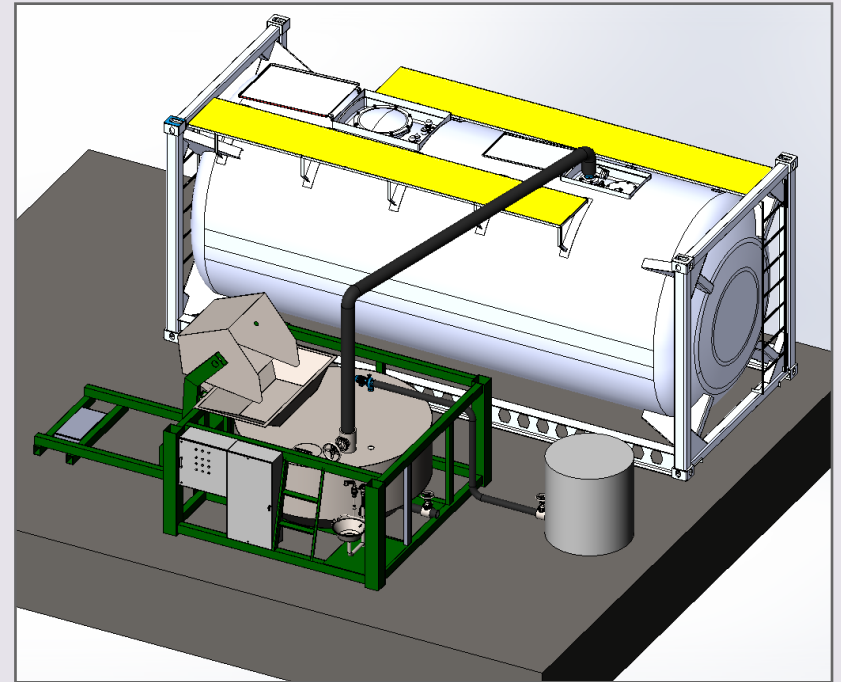
Biosecurity

Easily cleaned to ensure
hygiene and disease prevention.

- Constructed from acid resistant stainless steel (grade AISI 316 or higher)
- All parts not in contact with the media are made with hot dipped galvanized steel or epoxy coated

Fast & Effective

- Acid is used as soon as possible to reduce the bacterial degradation of raw material and begin breaking down the cell structures
- cpi Equipment Inc. uses **Landia** heavy duty pumps to effectively macerate the fish .



- Full touch screen display
- Wireless accessibility

Monitor your tanks anywhere!

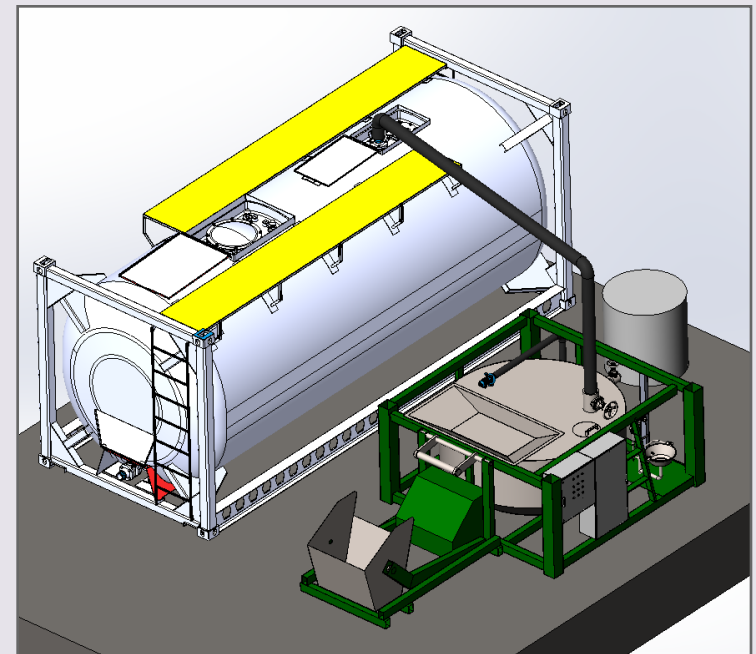


Portable, Modular and Long Lasting.

- Quick installation because of its portability
- ProSilage was designed to be modular to adapt to any size system you need
- Built with high grade and heavy duty materials, the ProSilage system is weather proof and sure to maintain its quality

We took
Occupational Health & Safety
into consideration.

Our automatic loader bucket will prevent your workers from having to lift heavy buckets and risking back injury and other costly injuries.



cpi Equipment Inc.

Contact Us

Website: www.prosilage.com

Phone: 1 (250) 468 3971

**1441 East Island Highway
Nanoose Bay, British Columbia
V9P 9A3**

The logo for PROSILAGE features the word "PROSILAGE" in a bold, sans-serif font. The "P" is significantly larger and has a thick horizontal bar extending to the right, which then curves down to underline the "R" and "O". The "I" and "L" are also bold, and the "A" and "G" are in a slightly smaller font size. The "E" is the largest letter in the word. The entire logo is rendered in black with a white outline.